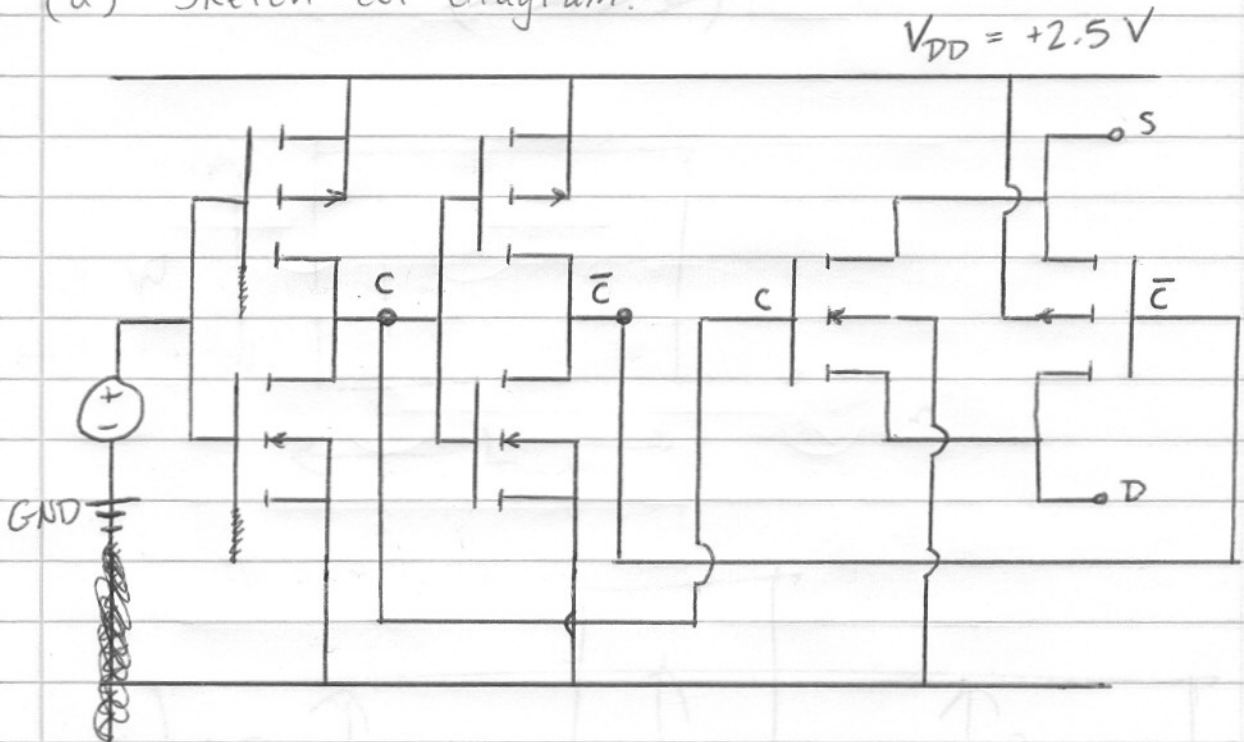


check for region

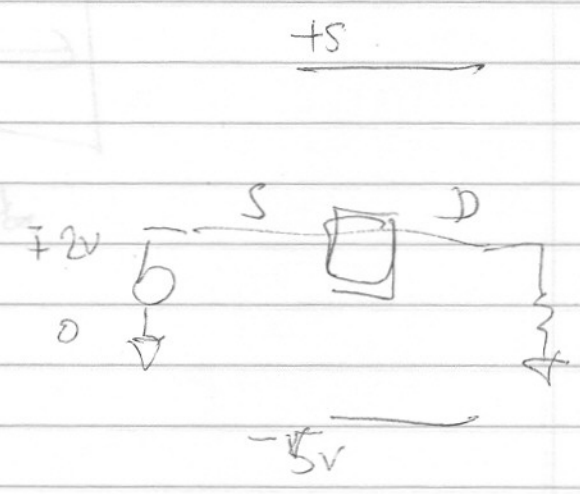
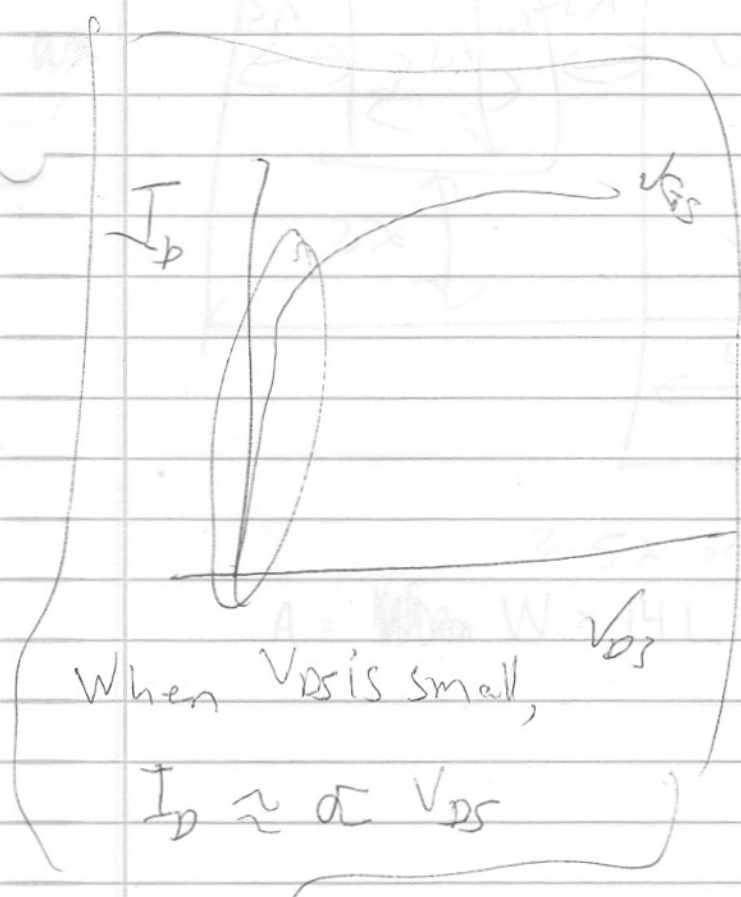
Q4 Analogue switch design.

(a) Sketch cct diagram.



(b) Explain cct operation.

can show switch only in SEDRA.

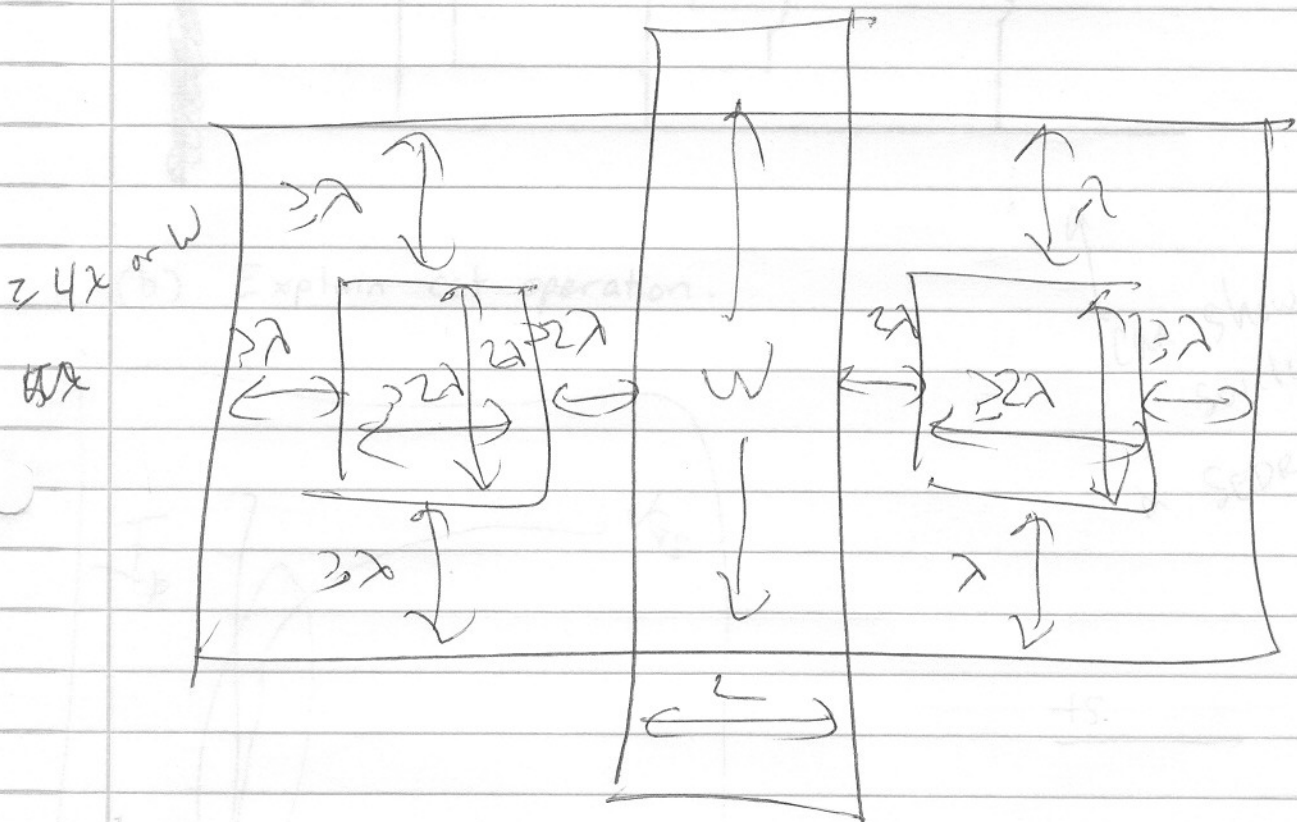
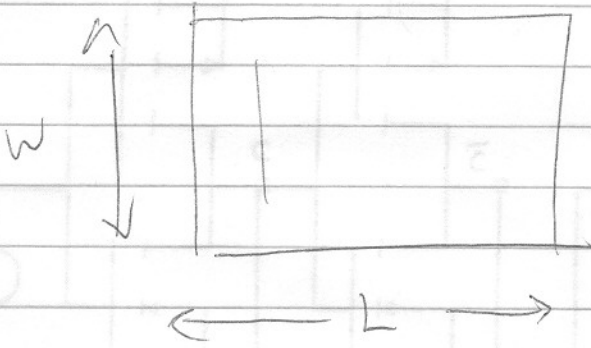


$$I_D = \frac{1}{2} \mu_n C_{ox} \frac{W}{L} (V_{GS} - V_t)^2$$

check for region

~~$(2V_{GS} = V_t)$~~

$V_{DD} = +2.5V$



$\approx 5\lambda$ or 4λ

$A = W \times 14L$